

Kidde Fire Systems

Natura™ Inert Gas System

Component Description



Effective: April 2022
K-38-2125 Rev AE

Quick Connect Cables

FEATURES

- For Approvals, see the “COMPATIBILITY” table.
- REACH and RoHS compliant
- For use with Normally Open (Under Pressure) Gauges

DESCRIPTION

Quick Connect cables provide a fast method of wiring the pressure gauges of the Release Unit and Secondary Cylinder Gauge Assemblies to supervise the pressure of individual cylinders.

COMPATIBILITY

| Series | DIOM P/N | Approvals* |
|--------------------------|---------------|------------|
| Natura™ Inert Gas System | 06-237619-001 | FM, UL |
| Natura™ Inert Gas System | 06-237598-001 | LPCB |

* For additional listings, contact Kidde Fire Systems

ORDERING INFORMATION

| Part Number | Description |
|---------------|---|
| 38-400005-100 | Elbow (PG7) Plug x 2 Cable, Dual Core (0.34mm x 300mm) x Quick Connects (Male & Female) |
| 38-400005-102 | Gauge Signal Line - Quick Connect (MALE) Connector with 3m Fly lead (Dual Core Cable) |
| 38-400005-103 | Quick Connect (Male) x Dual Core (0.34mm x 1000mm) Fly-Lead |
| 38-400005-105 | Quick Connect (Female) x Dual Core (0.34mm x 1000mm) Fly-Lead |

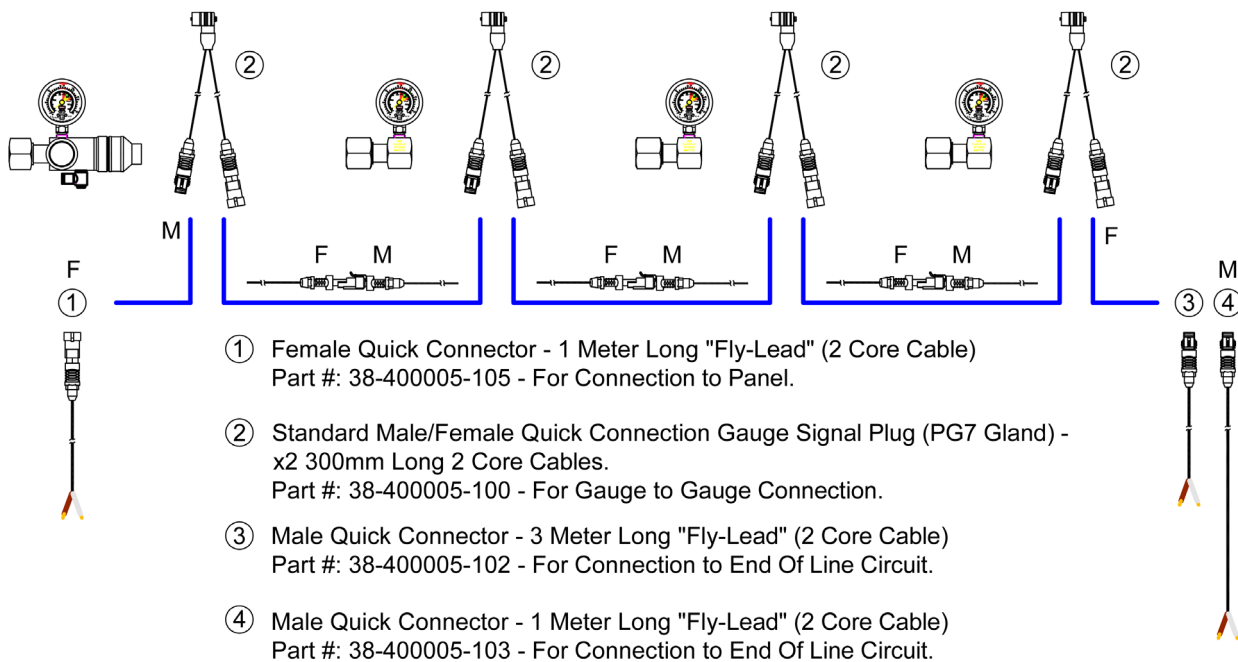


Figure 1.



Figure 2. L Plug x 2 Cable, Dual Core (0.34mm x 300mm) x Quick Connects (Male & Female)



Figure 3. Gauge Signal Line - Quick Connect (MALE) Connector with 3m Fly lead (Dual Core Cable)



Figure 4. Quick Connect (Male) x Dual Core (0.34mm x 1000mm) Fly-Lead



Figure 5. Quick Connect (Female) x Dual Core (0.34mm x 1000mm) Fly-Lead

SPECIFICATIONS

Cable:

Conductor Count: 2

Conductor Size: 22AWG (7x30)

Material: Tinned Copper (TC)

Insulation: Polyvinyl Chloride (PVC)

Protection: PVC Outer Jacket (CMG)

Min Bend Radius: 44mm (1.75in)

Temp Range:

FM Approved / UL Listed: -4° to 130°F (-20° to 54°C)*

*Unless superseded by local/national standards

EXPORT INFORMATION (USA)

Jurisdiction: EAR

Classification: EAR99

This document contains technical data subject to the EAR.

All trademarks are property of their respective owners.

This literature is provided for informational purposes only. KIDDE-FENWAL, INC. believes this data to be accurate, but it is published and presented without any guarantee or warranty whatsoever. KIDDE-FENWAL, INC. assumes no responsibility for the product's suitability for a particular application. Product features specified are only applicable when the fire suppression system is correctly designed, installed, maintained and serviced by trained, authorized Kidde Fire Systems distributors as per the applicable design, installation, operation, and maintenance manuals. If you need more information on this product, or if you have a particular problem or question, contact: KIDDE-FENWAL, INC., Ashland, MA 01721 USA, Telephone: (508) 881-2000.